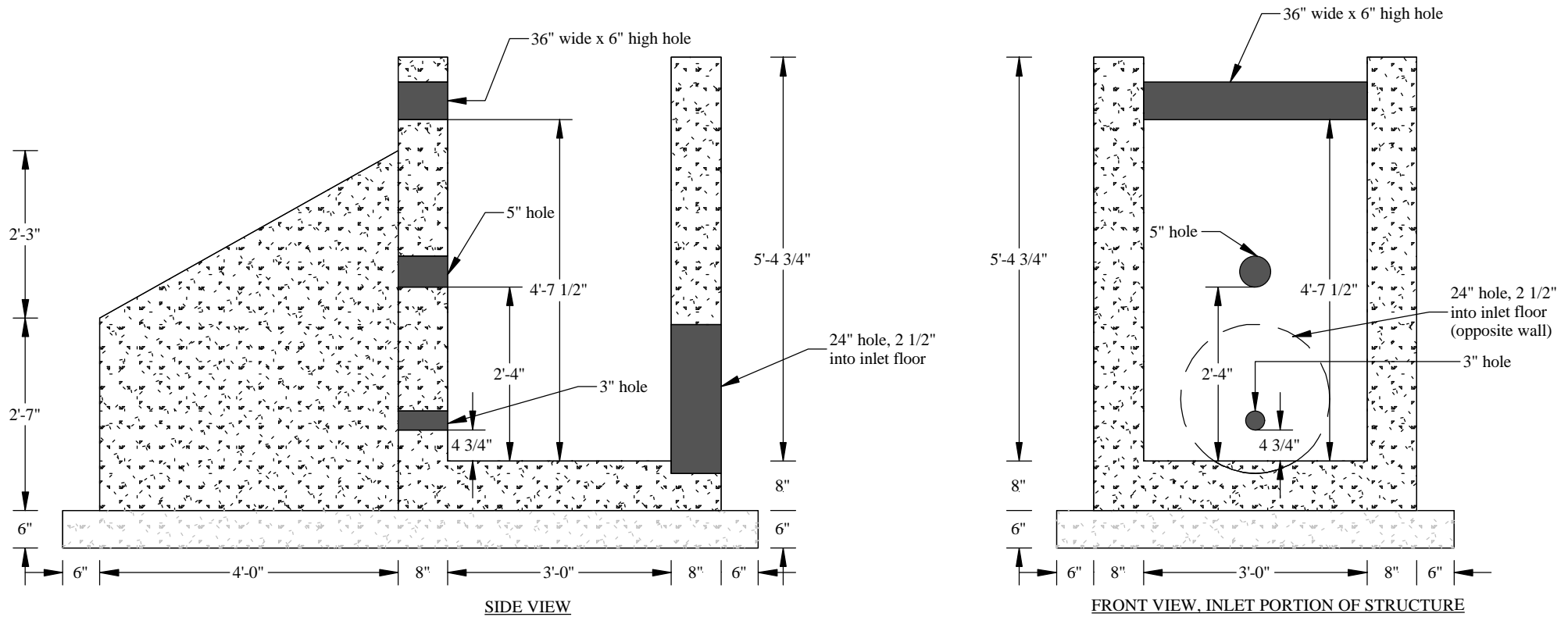


PRECAST CONCRETE OUTLET STRUCTURE WITH WING WALLS - PLAN VIEW

8" walls & 8" base for inlet portion of structure
 8" wing walls
 6" thick footing extended 6" all the way around structure
 Reinforcing:
 # 4 rebar, 8" c/c e/w
 REBAR GRADE 60

CONCRETE 4,000 PSI IN 28 DAYS

J.F. Gillespie, Inc.
2547 Brunetta Drive
Vineland, NJ 08360
phone: 856-692-2233
fax: 856-692-5457
www.jfgillespieinc.com



PRECAST CONCRETE OUTLET STRUCTURE WITH WING WALLS - SECTION VIEWS

8" walls & 8" base for inlet portion of structure
 8" wing walls
 6" thick footing extended 6" all the way around structure

Reinforcing:
 # 4 rebar, 8" c/c e/w
 REBAR GRADE 60

CONCRETE 4,000 PSI IN 28 DAYS

J.F. Gillespie, Inc.
 2547 Brunetta Drive
 Vineland, NJ 08360
 phone: 856-692-2233
 fax: 856-692-5457
 www.jfgillespieinc.com