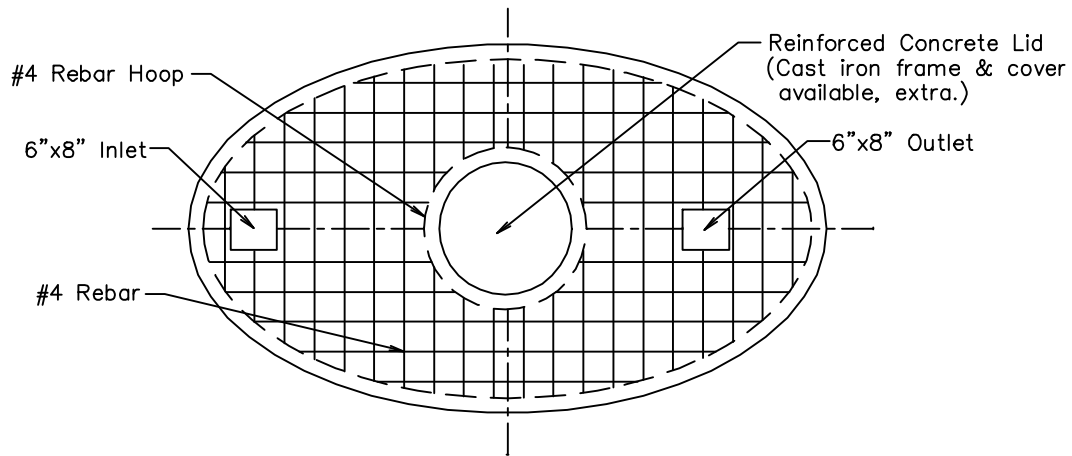
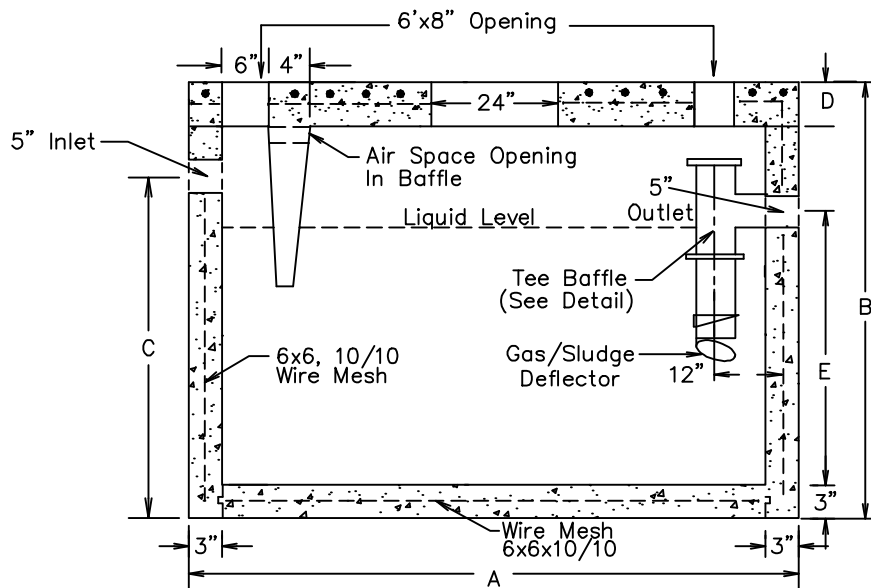


PLAN



SECTION



GALLONS	A	B	C	D	E
1,250 Low	10'4" x 7'4"	52"	44"	5"	39"
1,250 High	8'8" x 7'6"	62"	54"	5"	49"
1,500	10'5" x 7'5"	64"	55"	5"	50"
2,000	10'5" x 7'3"	72"	62"	5"	57"

Notes:

Interior finished with 2 coats of approved inert coating.

Concrete = 4,000 PSI

2" Differential Between Inlet Invert and Outlet Invert

Not To Scale



SEPTIC TANK (OVAL)

J. F. Gillespie, Inc.

2547 Brunetta Drive, Vineland, NJ 08360

Phone: 856-692-2233 Fax: 856-692-5457

