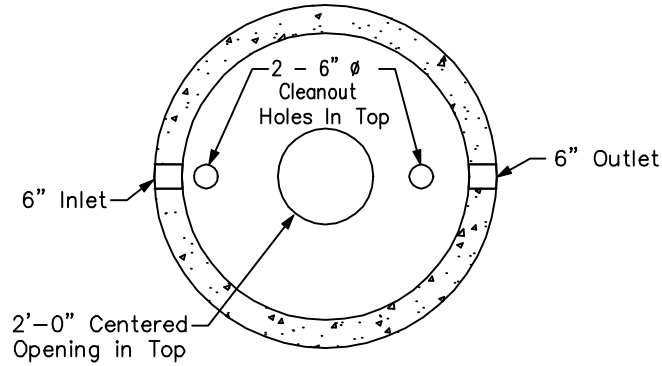
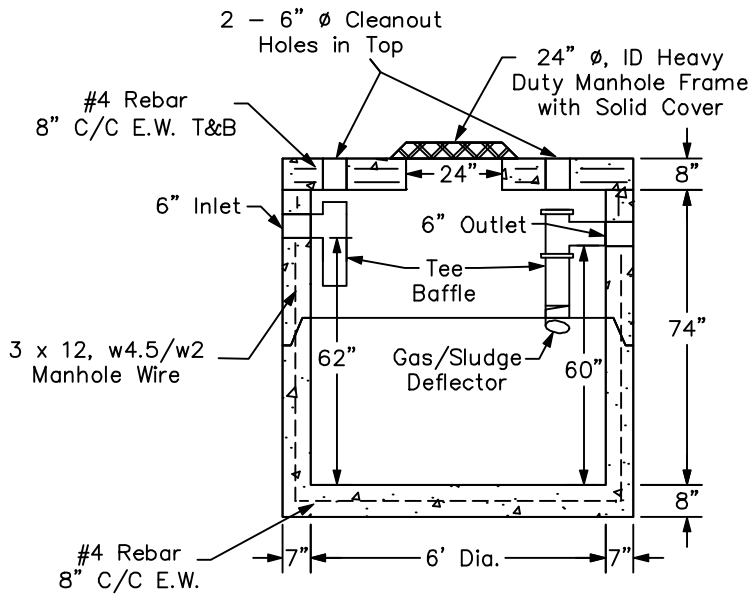


PLAN



SECTION



Notes:

Other Sizes Available Upon Request
Rebar Grade 60

Joint(s) Sealed With Butyl Rope
Form & Mortar.

Interior finished with 2 coats of
approved inert coating.

Concrete = 4,000 PSI
2" Differential Between
Inlet Invert and Outlet Invert
Not To Scale



1,000 GALLON
HEAVY DUTY SEPTIC TANK

J. F. Gillespie, Inc.
2547 Brunetta Drive, Vineland, NJ 08360
Phone: 856-692-2233 Fax: 856-692-5457

