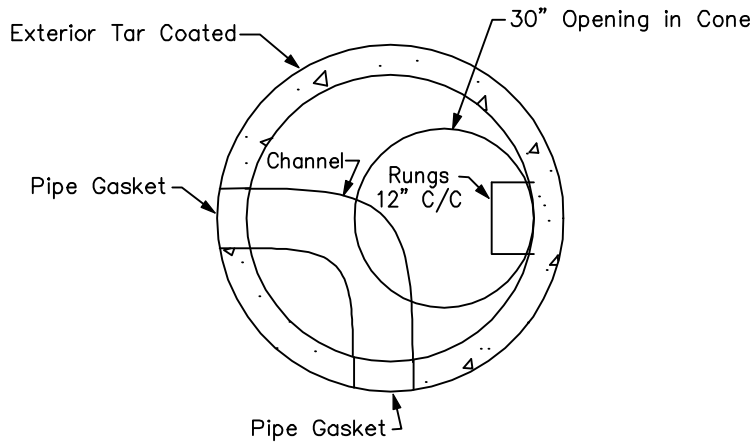
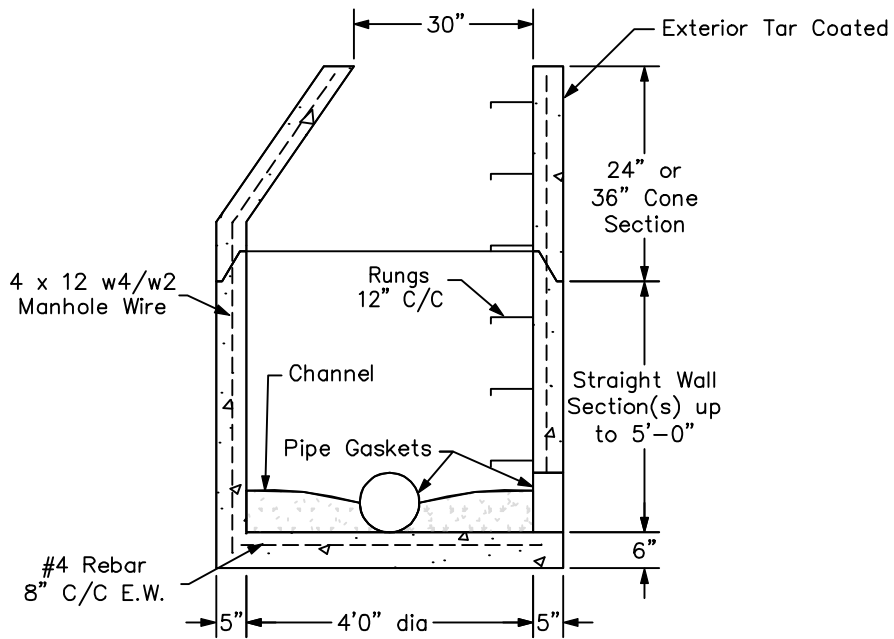


PLAN



SECTION



NOTE:

Joint(s) Sealed with Butyl Rope
 Form & Mortar
 Rebar Grade 60
 Concrete = 4,000 P.S.I.
 Not To Scale



4' DIA SANITARY MANHOLE

J. F. Gillespie, Inc.
 2547 Brunetta Drive, Vineland, NJ 08360
 Phone: 856-692-2233 Fax: 856-692-5457

