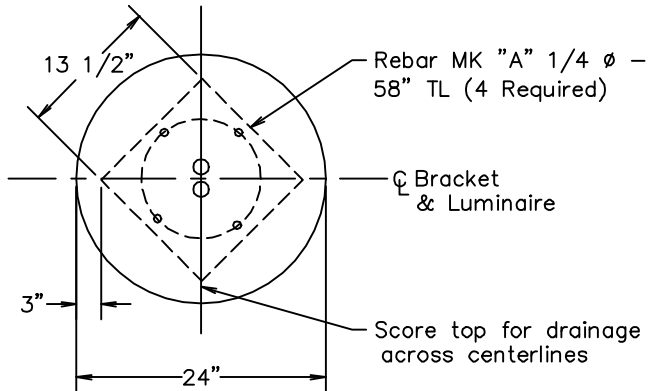
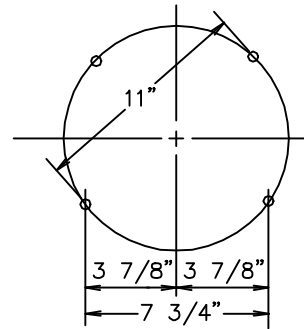


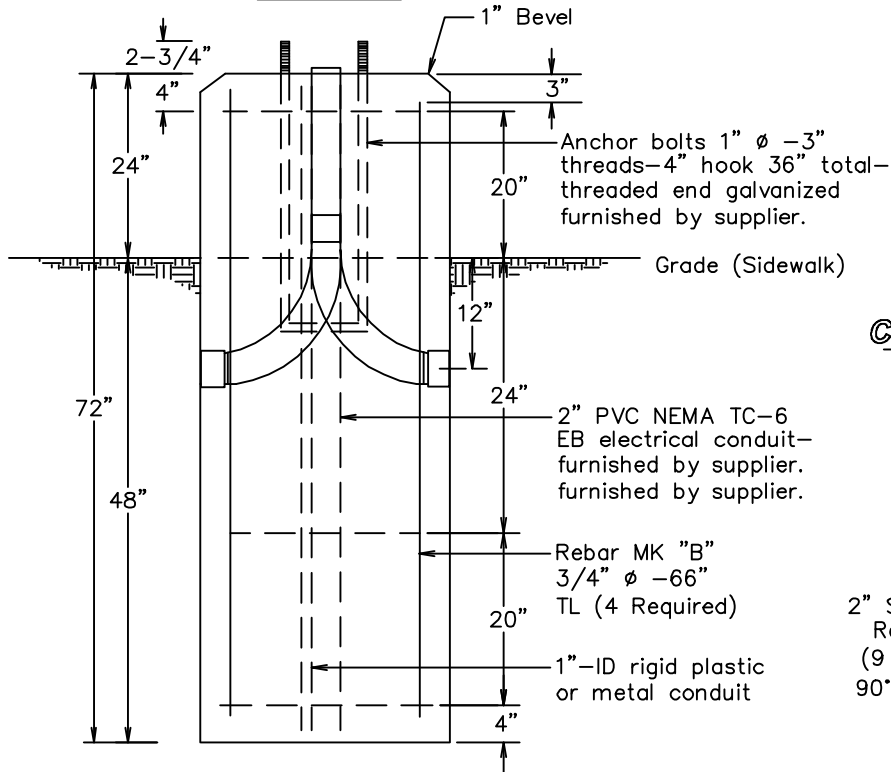
PLAN



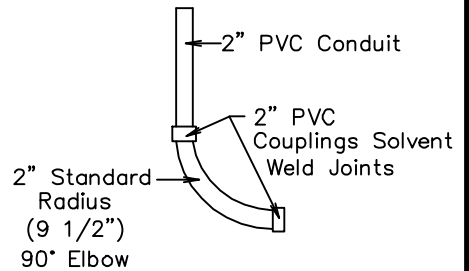
BOLT PLAN



SECTION



CONDUIT ASSEMBLY  
DETAIL



**NOTE:**

Suitable for use with SB-2 Shoe Base.  
 Permanent manufacturers identification shall be provided on each unit.  
 Bolt circle tolerance shall be  $\pm 1/16"$   
 bolts shall be parallel to each other & perpendicular to the surface.  
 A metal or wood template shall be used to verify compliance.  
 Not To Scale



FOUNDATION FOR  
 ALUMINUM STANDARD

J. F. Gillespie, Inc.  
 2547 Brunetta Drive, Vineland, NJ 08360  
 Phone: 856-692-2233 Fax: 856-692-5457

