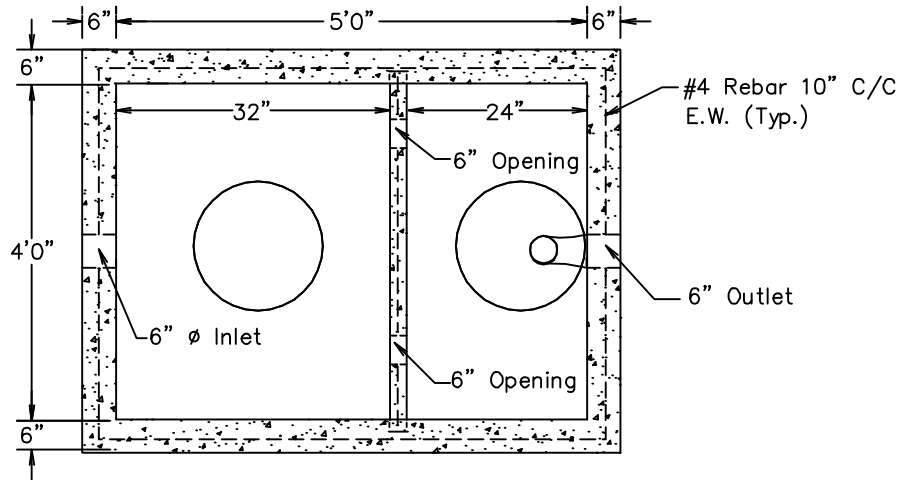
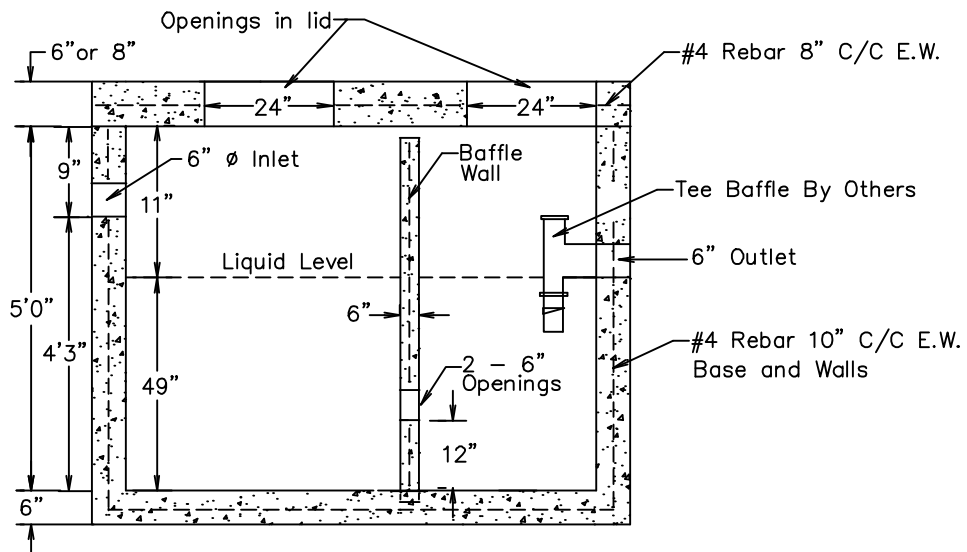


PLAN



SECTION



NOTE:

Other Sizes Available Upon Request
 Cast Iron Available Upon Request
 Rebar Grade 60
 Concrete = 4,000 P.S.I
 Covers Include Concrete Lids 3" Thick
 Not To Scale



**OIL INTERCEPTOR
 (550 GAL.)**

J. F. Gillespie, Inc.
 2547 Brunetta Drive, Vineland, NJ 08360
 Phone: 856-692-2233 Fax: 856-692-5457

