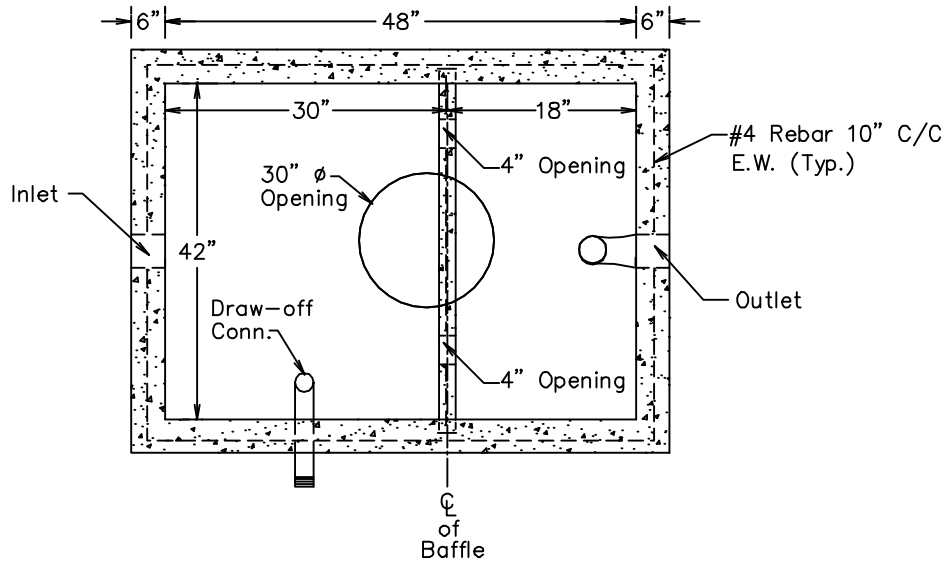
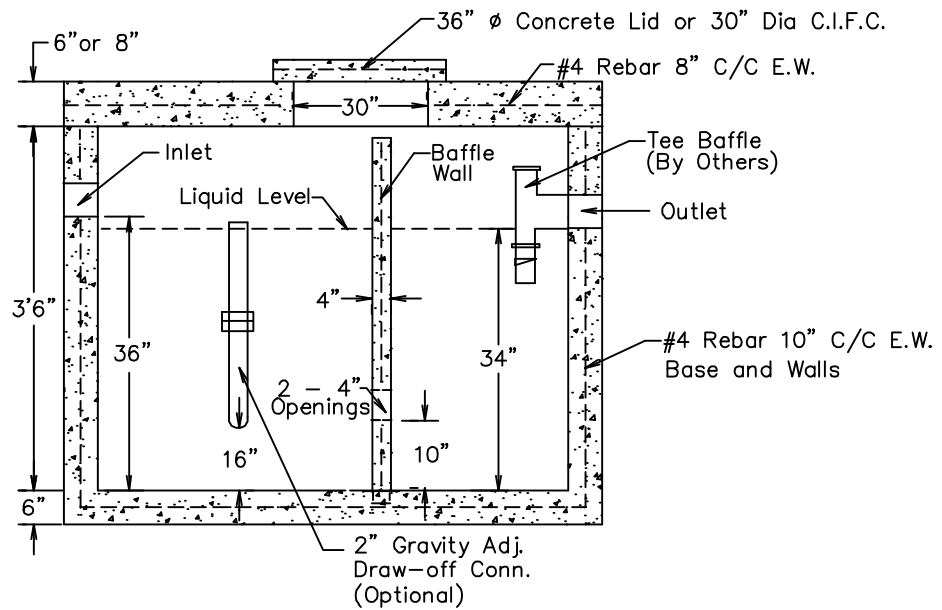


**PLAN**



**SECTION**



**NOTE:**

Other Sizes Available Upon Request  
 Rebar Grade 60  
 Concrete = 4,000 P.S.I  
 Not To Scale



**OIL INTERCEPTOR  
 (250 GAL.)**

**J. F. Gillespie, Inc.**  
 2547 Brunetta Drive, Vineland, NJ 08360  
 Phone: 856-692-2233 Fax: 856-692-5457

