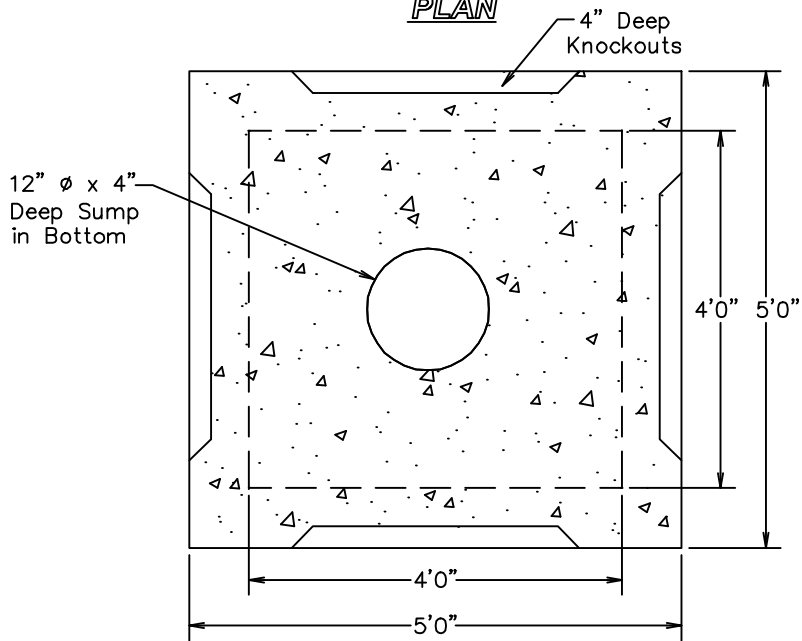
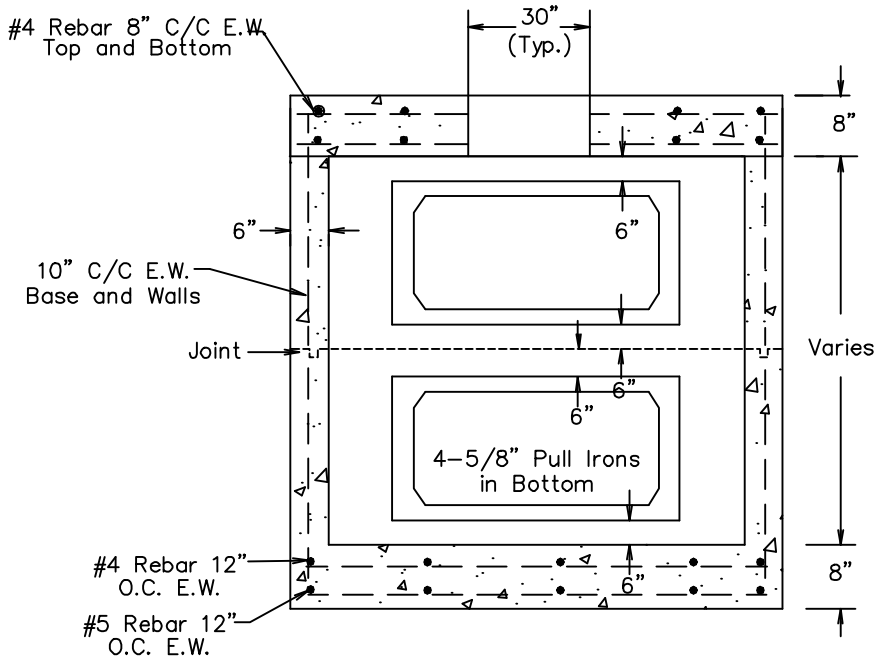


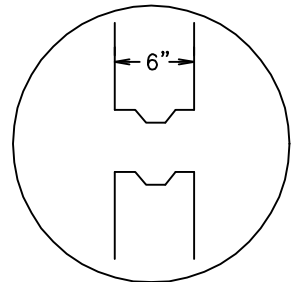
PLAN



SECTION



JOINT DETAIL



NOTE:

Other Sizes Available Upon Request
 Rebar Grade 60
 Concrete = 4,000 P.S.I
 Not To Scale



4x4 ELECTRIC MANHOLE

J. F. Gillespie, Inc.
 2547 Brunetta Drive, Vineland, NJ 08360
 Phone: 856-692-2233 Fax: 856-692-5457

