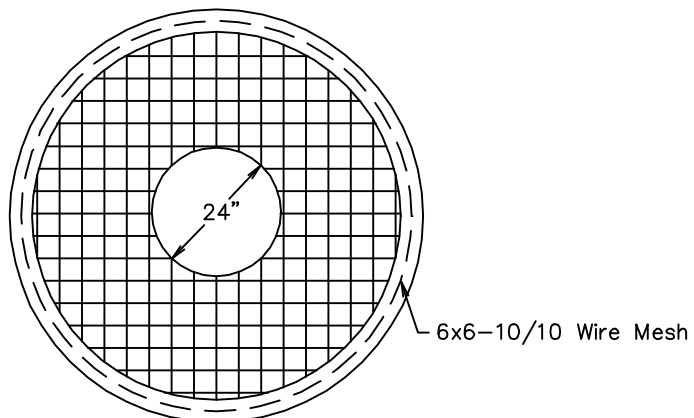
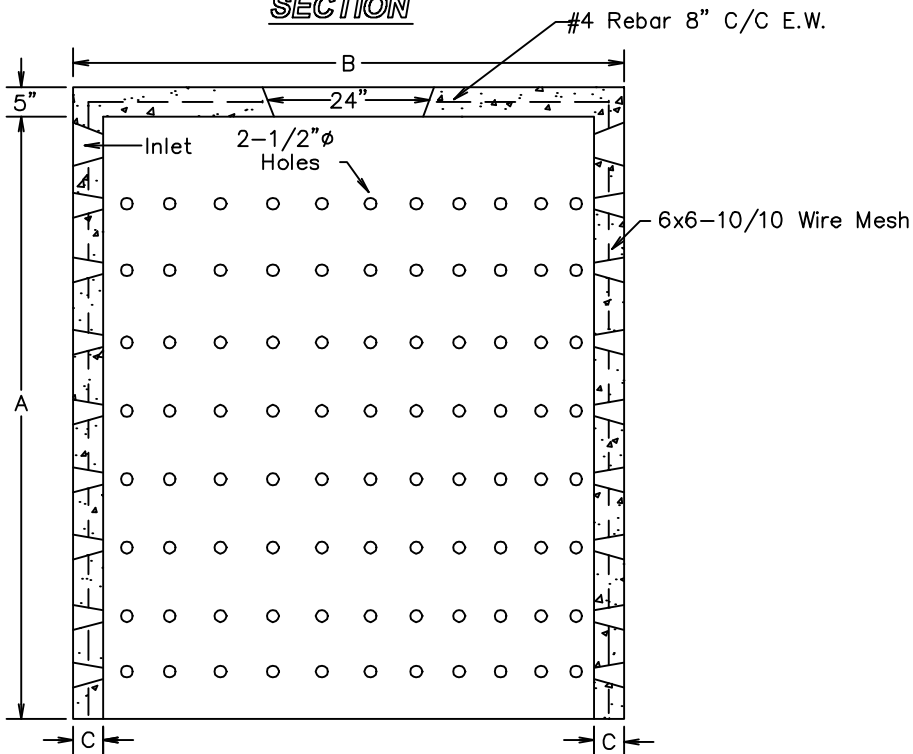


**PLAN**



**SECTION**



SIZE	A	B	C
3' x 6'	36"	72"	3"
3' x 7'	36"	84"	3"
4' x 4'	43"	48"	3"
4' x 6'	43"	72"	3"

SIZE	A	B	C
6' x 6'	67"	78"	3"
6' x 7'	67"	84"	3"
6' x 8'	67"	8'	3"

**NOTE:**

Rebar Grade 60  
 Concrete = 4,000 P.S.I  
 Not To Scale



**SEEPAGE PIT**

**J. F. Gillespie, Inc.**  
 2547 Brunetta Drive, Vineland, NJ 08360  
 Phone: 856-692-2233 Fax: 856-692-5457

