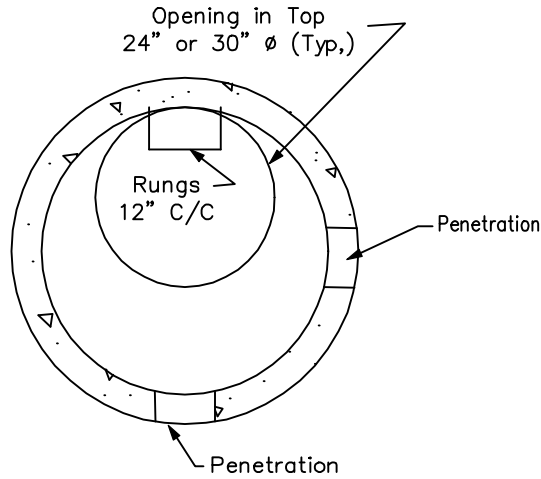
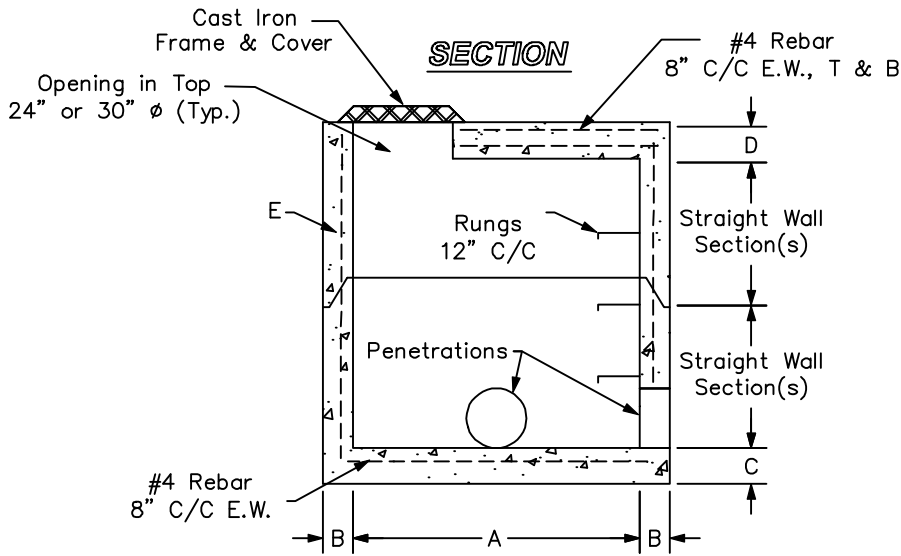


**PLAN**



**SECTION**



A (Ø)	B	C	D	E (Wall Reinforcing)
48"	5"	6"	8"	4x12, w4/w2 Manhole Wire
60"	6"	8"	8"	4x12, w4/w2 Manhole Wire
72"	7"	8"	8"	3x12, w4.5/w2 Manhole Wire
96"	9"	10"	8"	3x12, w4.5/w2 Manhole Wire

**NOTE:**

Joint(s) Sealed with Butyl Rope  
 Form & Mortar  
 Rebar Grade 60  
 Concrete = 4,000 P.S.I.  
 Not To Scale



**TYPICAL STORM MANHOLE**

**J. F. Gillespie, Inc.**  
 2547 Brunetta Drive, Vineland, NJ 08360  
 Phone: 856-692-2233 Fax: 856-692-5457  
[www.jfgillespieinc.com](http://www.jfgillespieinc.com)

