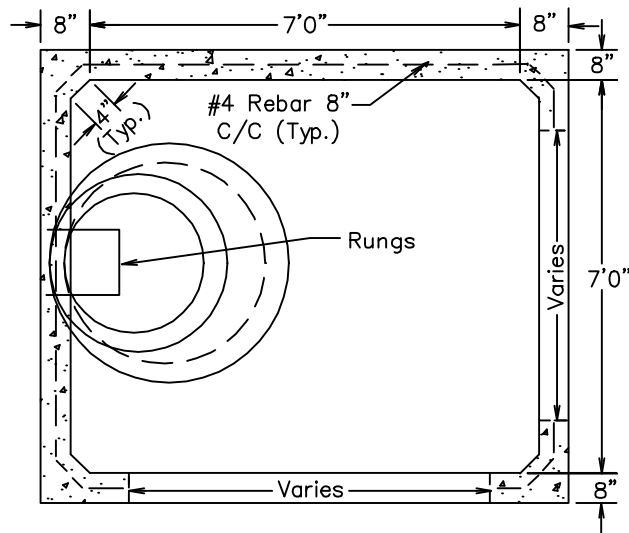
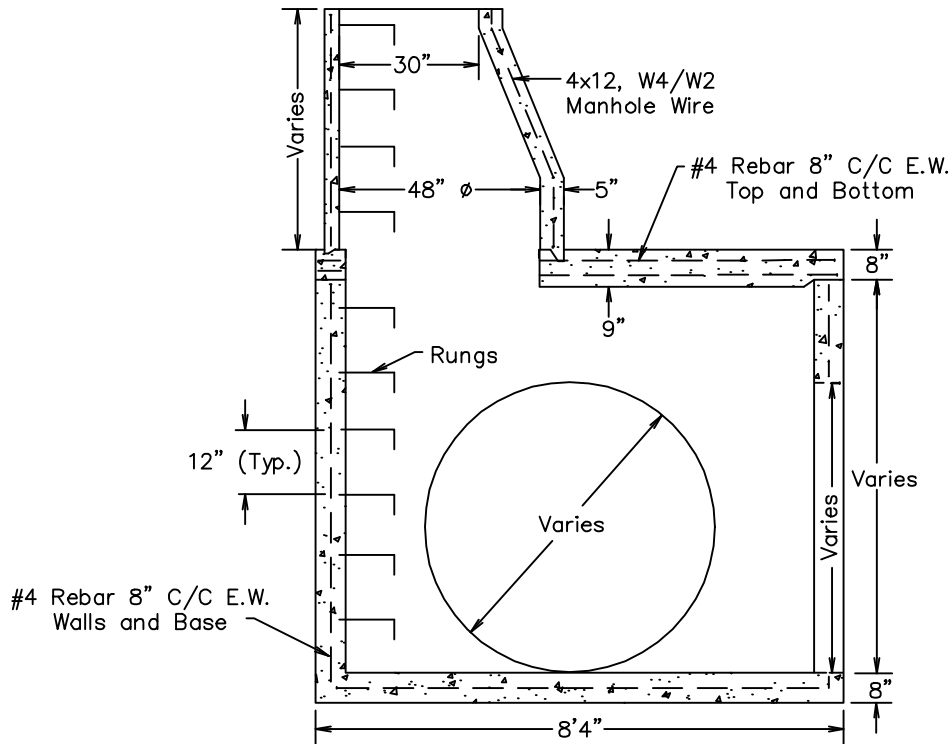


PLAN



SECTION



NOTE:

Other Sizes Available Upon Request
 Rebar Grade 60
 Concrete = 4,000 P.S.I
 Not To Scale



**7x7 SQUARE MANHOLE
 W/ CONE TOP SECTION**

J. F. Gillespie, Inc.

2547 Brunetta Drive, Vineland, NJ 08360
 Phone: 856-692-2233 Fax: 856-692-5457

