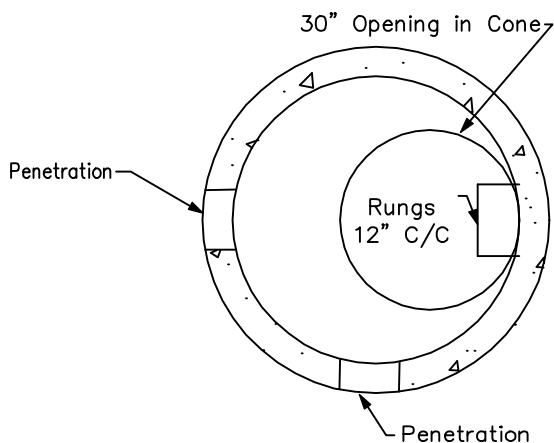
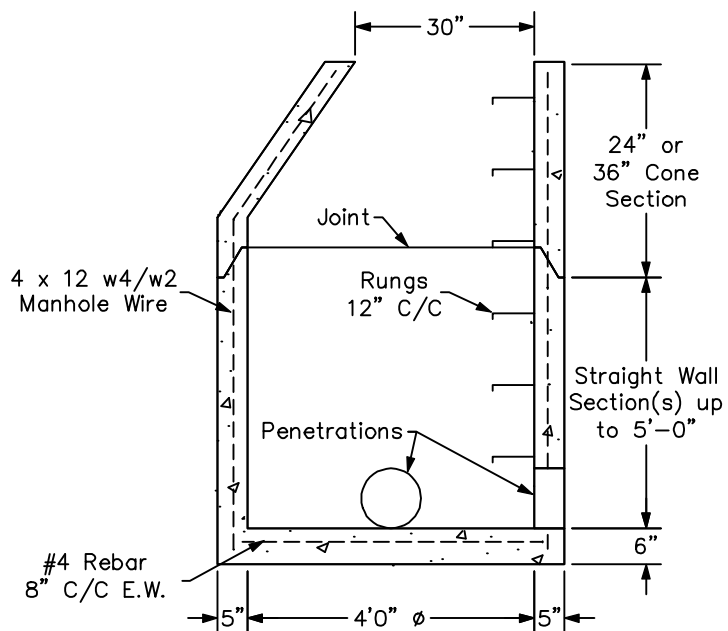


PLAN



SECTION



NOTE:

Joint(s) Sealed with Butyl Rope
Form & Mortar
Rebar Grade 60
Concrete = 4,000 P.S.I.
Not To Scale



4' DIA STORM MANHOLE

J. F. Gillespie, Inc.
2547 Brunetta Drive, Vineland, NJ 08360
Phone: 856-692-2233 Fax: 856-692-5457
www.jfgillespieinc.com

