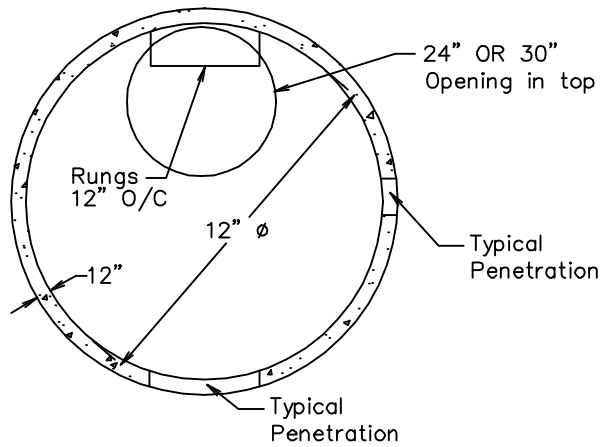
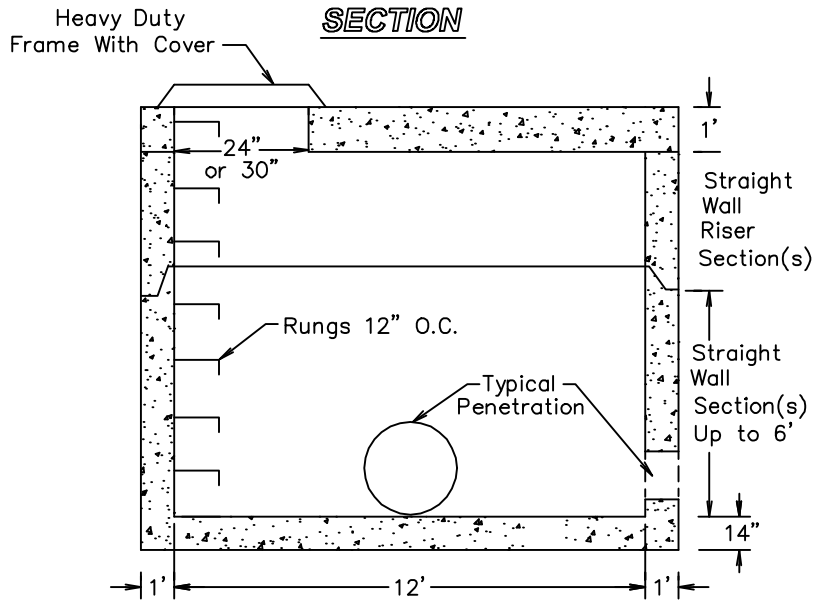


PLAN



SECTION



NOTE:

Reinforcing:

Walls:

3x12 w4.5/w2 manhole wire (double row)

Top & Base:

#4 Rebar, 8" C/C, E/W T&B (double row)

Rebar Grade 60

Concrete = 4,000 P.S.I

Joints sealed with butyl rope form & mortar

Not To Scale



12' DIA STORM MANHOLE

J. F. Gillespie, Inc.

2547 Brunetta Drive, Vineland, NJ 08360

Phone: 856-692-2233 Fax: 856-692-5457

