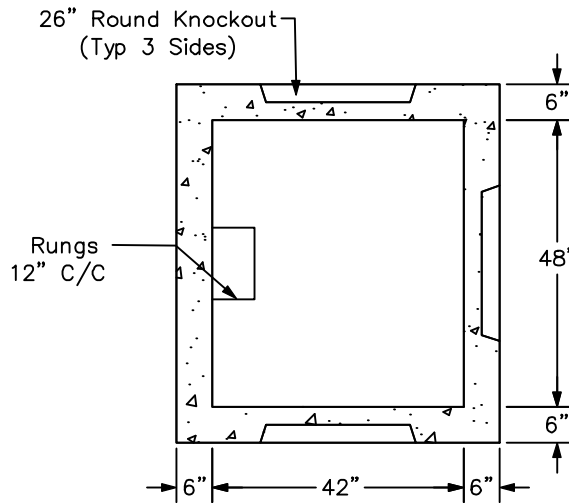
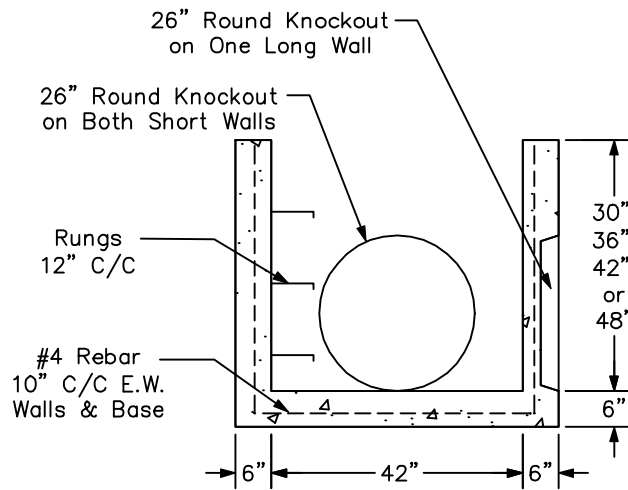


PLAN



SECTION



Notes:

Riser Sections Available

Rebar Grade 60

Joint(s) Sealed With Butyl Rope
Form & Mortar (if any).

Concrete = 4,000 PSI

Not To Scale



TYPE "B" OR "E" INLET
WITH KNOCKOUTS

J. F. Gillespie, Inc.
2547 Brunetta Drive, Vineland, NJ 08360
Phone: 856-692-2233 Fax: 856-692-5457

