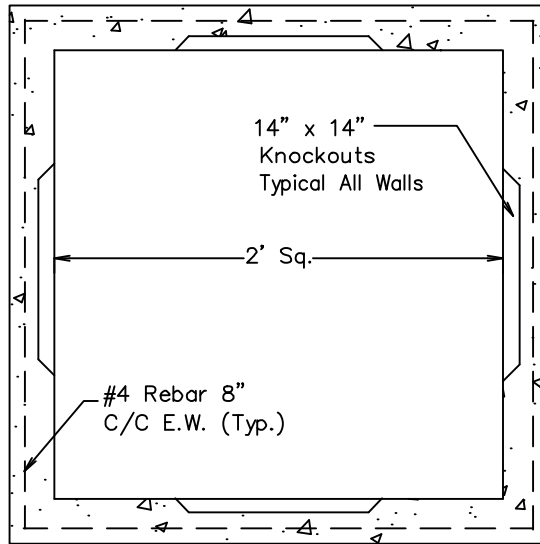
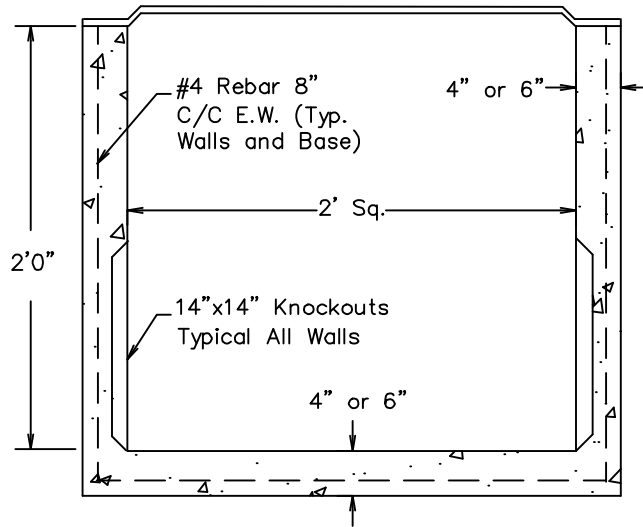


PLAN



SECTION



NOTE:

Rebar Grade 60
Concrete = 4,000 P.S.I
Not To Scale



CONCRETE INLET
2x2

J. F. Gillespie, Inc.
2547 Brunetta Drive, Vineland, NJ 08360
Phone: 856-692-2233 Fax: 856-692-5457

