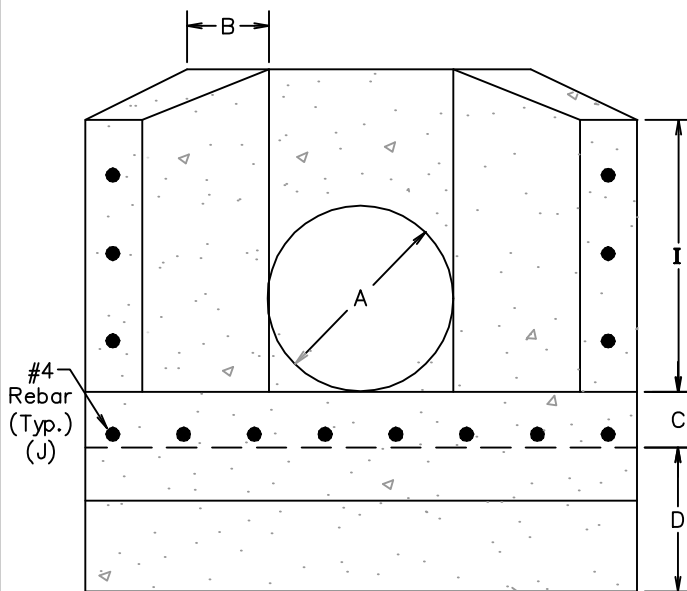
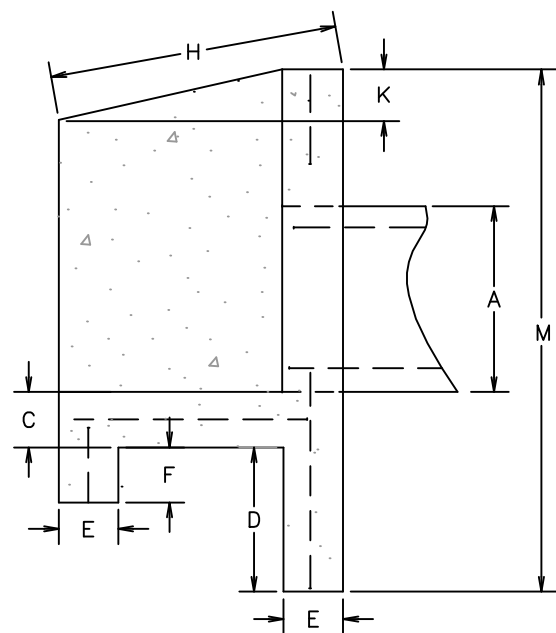


**FRONT**



**SIDE**



HEADWALL	A	B	C	D	E	F	G	H	I	J	K	L	M
8" Thru 15" ID Pipe	O.D. of Pipe	8"	6"	2'	10"	14"	3'-6"	4'-6"	25"	8" C/C	11"	6'-2"	5'-7"
16" Thru 24" ID Pipe	O.D. of Pipe	8"	8"	2'	10"	14"	4'-3"	5'-8"	31"	8" C/C	16"	7'-4"	6'-7"

**NOTE:**

Other Sizes and NJDOT Spec Headwalls Available Upon Request

Rebar Grade 60

Concrete = 4,000 P.S.I 28 days

Not To Scale



**HEADWALL**

**J. F. Gillespie, Inc.**

2547 Brunetta Drive, Vineland, NJ 08360

Phone: 856-692-2233 Fax: 856-692-5457

